

## DIGITAL WHEEL BALANCING MACHINE

MODEL - PWB-0566



- Multi balancing modes
- Automatic distance and wheel diameter measuring
- Self- calibration and diagnosis
- Hood-actuated Auto start
- Five Alu modes and with wheel optimization mode and weight split (Hidden weight) function.
- Machine calibration is very simple
- Power-saving mode: machine comes into standby mode automatically when the machine is not being in use after 5mins.
- Quick and accurate measurement of imbalance value.
- Display type is LED.

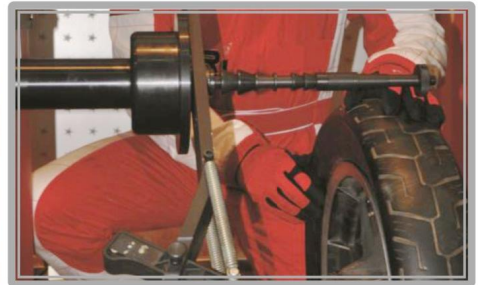
### HIGHLIGHTS



**Bold LED Display**



**Main Shaft and 40mm Threaded Rod are very Strong and durable made of special steel**

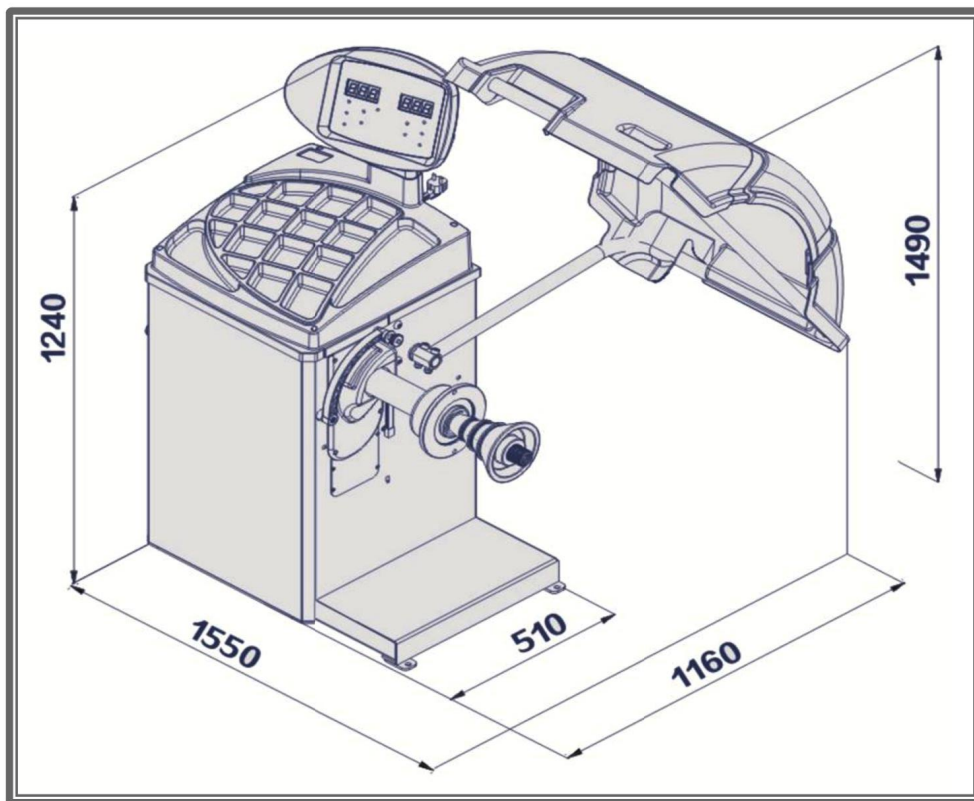


**Motorcycle Tyres can be balanced using Optional Adaptor**

## TECHNICAL SPECIFICATIONS

Rim Diameter	1" - 28"
Rim Width	1.5" - 20"
Max. Wheel Weight	70 Kg
Max. Wheel Diameter	1100 mm
Balancing accuracy	±1 gm
Cycle time	7s
Voltage	220 - 240 V, 50 - 60 Hz Single Phase
Motor Power	0.9 Kw
Rotating Speed	140 rpm
Noise Level	<70dB
Dimensions	1550x1160x1490 (Hood open)

## DIMENSIONS



\* Specifications subject to change without notice

### **PRECISION TESTING MACHINES PVT. LTD.**

HEAD OFFICE: S-12, Okhla Industrial Area, Phase - II, New Delhi - 110 020 (India)

Tel.: 011-4161-0000 (4 lines), 2638-6612 Fax: 011-26383790

E-mail : [sales@precisionworld.net](mailto:sales@precisionworld.net) / [service@precisionworld.net](mailto:service@precisionworld.net) / [www.precisionworld.net](http://www.precisionworld.net)