



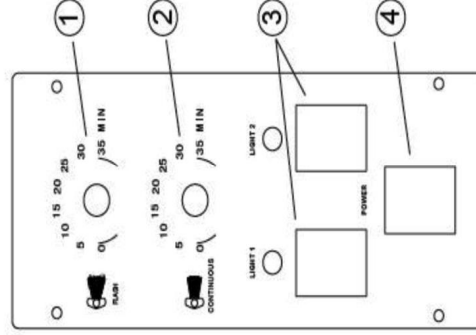
- Advanced paint curing technology.
- Powerful penetration directly into inner paint layer; completely dry within 15 minutes for double-component paint or 5 minutes for polyester putty.
- Short wave infrared emitter modules: high light emitting efficiency.
- Pre heat function to achieve gradual temperature increase.
- **Long life emitter:** Life span upto more than 6000 hours in use, individually adjustable emitter cassettes.
- Even radiation

HIGHLIGHTS

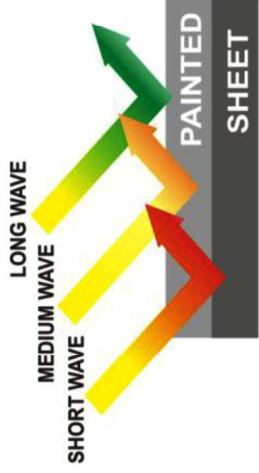


Key Panel of PYRAMID 2

1. Timer Button to set pre-heating time
2. Timer Button to set full heating time
3. ON/OFF Lamp Tube Switch
4. Power Switch



THE PRINCIPLE



● **PYRAMID:** Infrared systems emit different types of waves: Long, Medium and Short. The main difference between the three types lies in the penetration depth of the paint cover. Short waves emissions are the ones that most penetrates through the paint surface. "PYRAMID" uses this type of wave, since it reduces the drying time and the power consumption.

PROFITABILITY

Most of the repairs realised in body shops are due to small and medium size damages, mainly on front, back and lateral panels. Traditionally the spray booth is used to dry those small surfaces of the body, generating "bottle neck" problems during a great work flow situation.

Unlike the spray booths, infrared dryers prove to be more efficient on small body surface since they allow direct heat application on the treated piece.

TECHNICAL SPECIFICATIONS

Emitters	2
Power of emitters (each)	1000W
Emitter Power (KVA)	2.00 (KVA)
Total power	2000W
Mains Voltage	1 Ph x 230 V AC 50Hz
Irradiation Area (M2)	1.0 x 0.8
Temperature (°C)	60-70
Timing Range (MIN)	35
Reflectors	Aluminised
Weight	17 Kg

* Specifications subject to change without notice