

**MOBILE ELECTRO - HYDRAULIC
CAR BODY SHOP LIFT**

MODEL - PPL-2000

2.7T

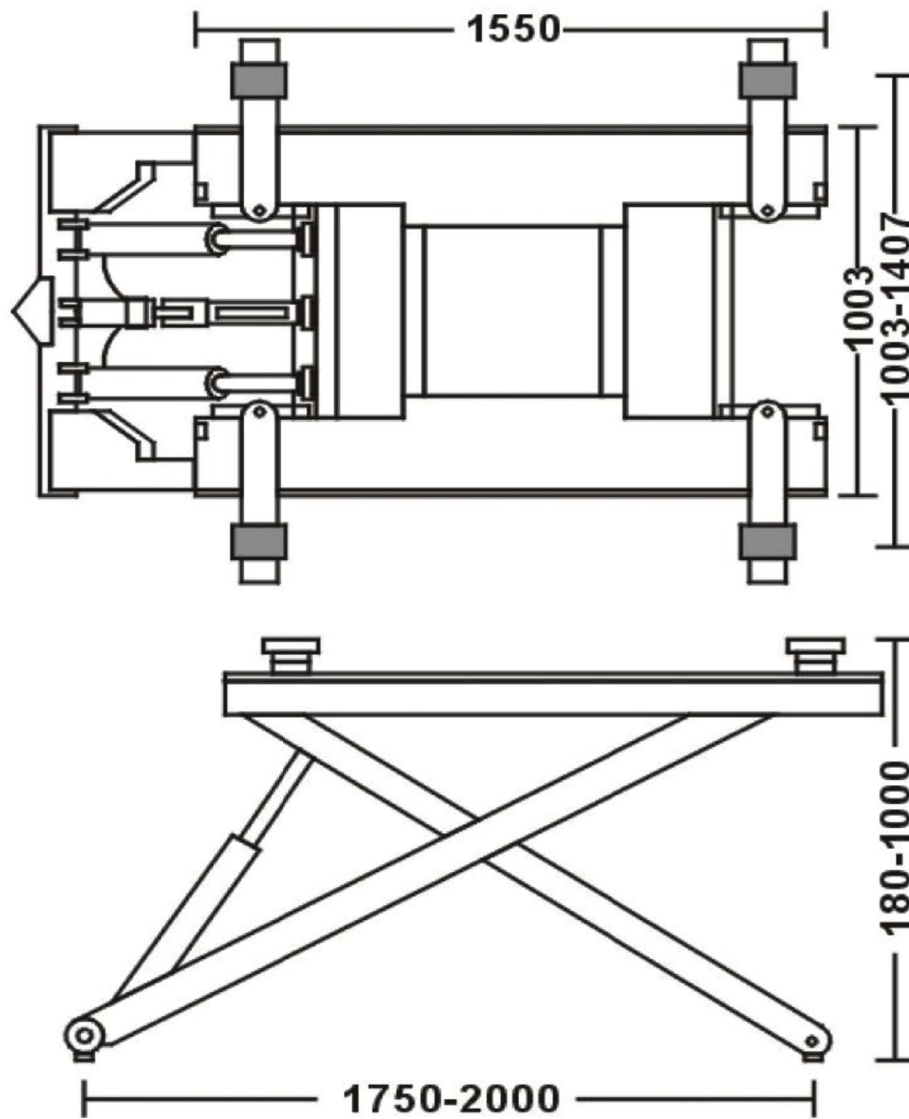


- Specialised Lift which fits perfectly into the car body repair shop
- Thanks to the parallelogram structure, the central skate with heavy duty wheels, the telescopic pivoting arms and its ideal lifting height.
- Power package on wheels
- Dual Cylinder structure, ensure stable raising and lowering
- Pneumatically disengaging mechanical safety device
- Hydraulic safety device in case of failure of hydraulic hoses
- Easy to move
- Electro hydraulic system
- Electro hydraulic power system

TECHNICAL SPECIFICATIONS

Capacity	2700 Kg
Length	1750-2000 mm
Lifting Height Max.	1000 mm
Lifting Height Min.	100 mm
Width	1003-1400 mm
Lifting time	30 Sec
Power Supply	220V / 400V
Frequency	50 Hz
Working Pressure	20Mp (2800PS)
Weight	360 Kg.

DIMENSIONS



* Specifications subject to change without notice

PRECISION TESTING MACHINES PVT. LTD.

HEAD OFFICE: S-12, Okhla Industrial Area, Phase - II, New Delhi - 110 020 (India)

Tel.: 011-4161-0000 (4 lines), 2638-6612 Fax: 011-26383790

E-mail : sales@precisionworld.net / service@precisionworld.net / www.precisionworld.net